



PERIMETER GUTTER SYSTEM

The yurt should be completely installed prior to installing the perimeter gutter system.

Tools required: Miter saw, rivet tool and drill with 1/4" hex driver.

1. Loosen the valance cord and fold the top cover valance upward onto the roof of the yurt to expose the connection between the top cover and side cover. There should be a gap of approximately 1" where this connection occurs. This is where the hanger brackets will be installed.
2. Slip the angled end of the hanger bracket under the top cover so that it matches the angle on the rafter (see Diagram XXXIII). In order to do this you will need to carefully cut a horizontal slit through the inner valance on your top cover (using a razor or utility knife) wide enough for the aluminum bracket to slide through. **Note:** If you have roof insulation the bracket should go between the top cover and foil insulation.
3. After aligning the bracket with the end of the rafter drill pilot holes into the end of the rafter. **Failure to drill pilot holes can result in split rafters, which can weaken the yurt.** Using the screws provided secure the hanger brackets to the ends of the rafters (see Diagram XXXIII). Fasten hanger brackets onto all rafters except rafters over the door(s).
4. Starting with the end of a gutter section approximately 6" from the left side of the door frame snap the gutter section into the hanger brackets going clockwise around the yurt. The sections of gutter are interchangeable, so they do not have to be installed in a particular order. The hanger brackets should end up approximately in the center of straight gutter segments.
5. Decide where you want your center drop(s) and down pipe(s) to be. Whenever possible try to locate the center drop opposite the door or near the midpoint of the gutter (large yurts have multiple center drops). Remember that if you place a center drop over a window your down pipe will be in front of the window and make it difficult to access for ventilation.
6. Cut the gutter where the center drop is to be placed so that the edge of the center drop is at least 2" from the nearest joint and does not interfere with the hanger bracket (see Diagram XXXIV). You will need to cut out a 1"-2" section of the gutter that will be centered in the center drop.
7. Cut the ends of the gutter (by the door) to remove the molded end and so that the gutter ends approximately 6" from the edge of the door frame. Having the gutter too close to the door will create a long unsupported end section that will not drain properly. The molded ends have to be cut off so that the end caps can be installed.

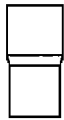
The original designer and manufacturer of the modern yurt, leading in quality and service for over 30 years.

77456 Hwy. 99 S. • Cottage Grove, OR 97424 • (541) 942-9435 • FAX (541) 942-0508 • E-mail: info@yurts.com

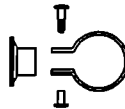
8. Using the cement provided, glue the sections of gutter together (follow instructions on tube) and rivet them using the 1/8" rivets provided. When riveting the sections together insert the first rivet from the outside of the gutter and apply a backup washer to the back of the rivet (on the inside of gutter) before 'popping' the rivet. The washer goes on the backside of the rivet to prevent it from working loose and coming out. Install a second rivet in the back edge of the gutter as well (from inside the gutter).
9. Glue the end caps into position.
10. After allowing the cement to fully set up, fold the top cover valance down into the gutter and re-attach the twist locks and valance cord at the door frame.
11. Attach the pipe holder to your platform's drip edge below the side cover and secure the down pipe into the pipe holder and center drop.

Diagram XXXII

Pipe Joint



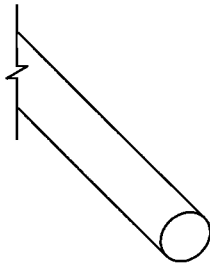
Pipe Holder



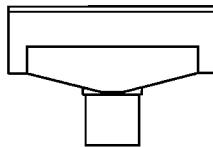
End Cap



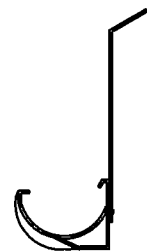
Down Pipe



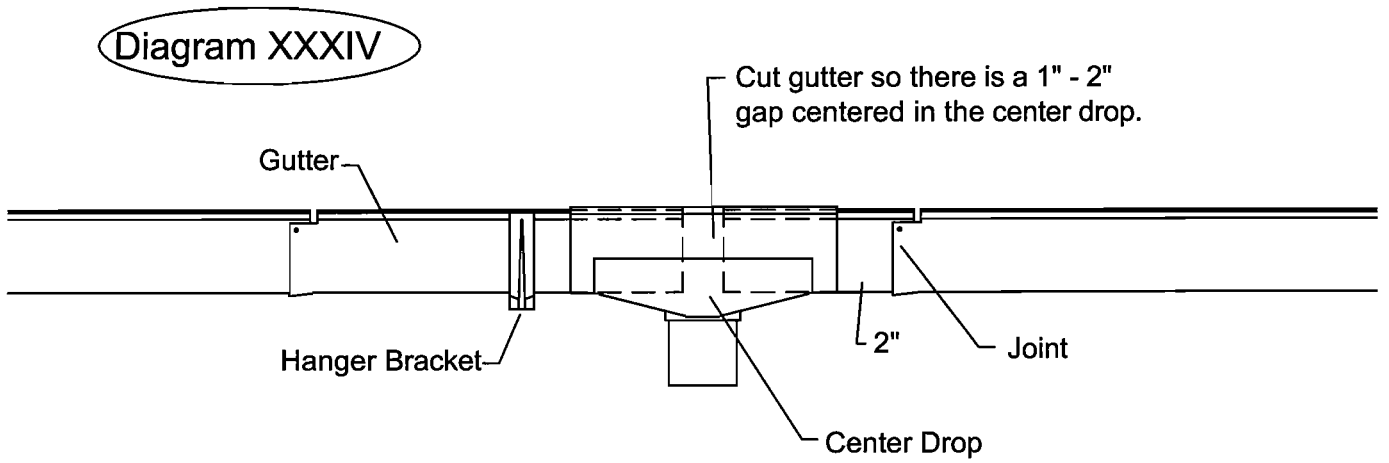
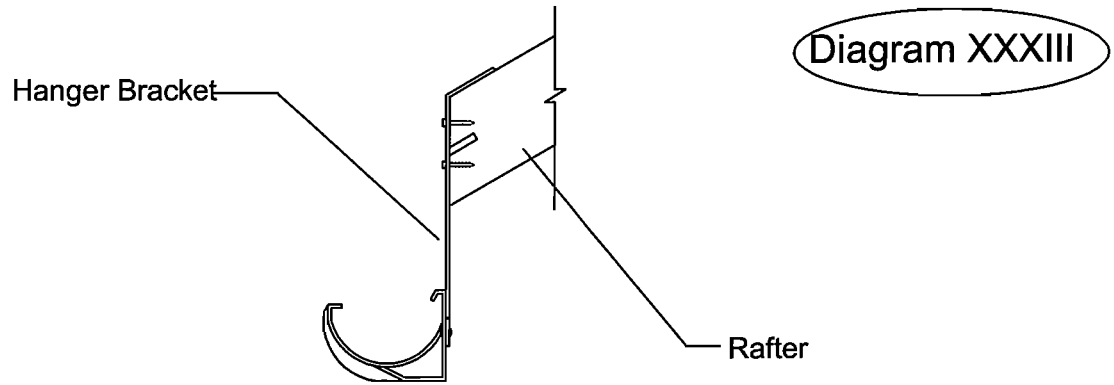
Center Drop



Hanger Bracket



GUTTER PARTS



GUTTER ASSEMBLY