

Preparing For a Floating Floor System

Floating floors make for wonderful finished flooring. However, when installing them into a yurt you should first install a raised ring made from 1x6 around the outer perimeter of the yurt platform. This ring will become the surface that the yurt anchors onto. You can then install the floating floor within the raised ring without affecting the yurt attachment onto the platform.

Step 1

Build your platform, but don't install the drip edge.



Step 2

Attach 1x6 ring onto outer edge of platform using glue and fasteners.



Step 3

Cut the outer edge of 1x6 ring to match the curved yurt platform (the radius of the yurt).



Step 4

Stain/finish the ring.



Step 5

Fasten the drip edge onto the perimeter of the platform.



Step 6

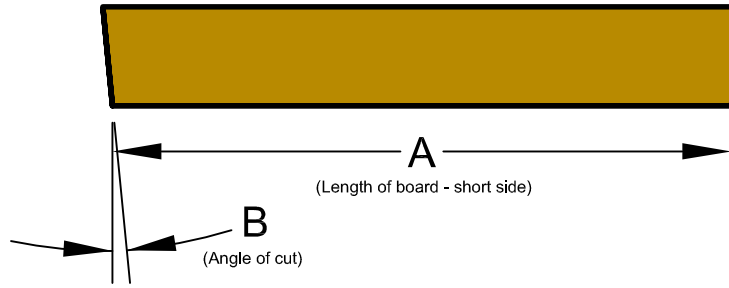
Install floating floor with an expansion gap at the edge of the 1x6 ring.



Step 7

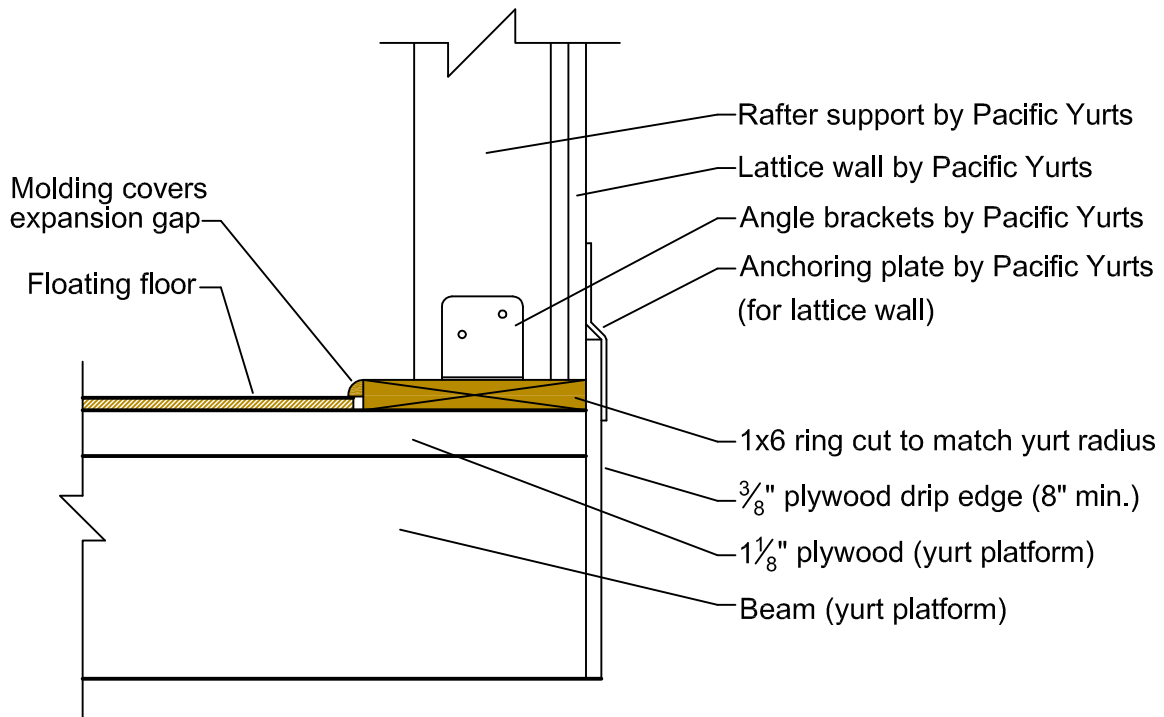
Install molding onto the edge of the 1x6 ring to cover expansion gap.





Yurt Diameter	A (Length of board)	B (Angle of cut)	Number of pieces
12'	23 $\frac{7}{16}$ "	10°	18
14'	24 $\frac{7}{8}$ "	9°	20
16'	26"	8.2°	22
20'	30 $\frac{1}{8}$ "	7.5°	24
24'	33 $\frac{5}{8}$ "	6.9°	26
30'	34 $\frac{3}{8}$ "	5.6°	32

1 1X6 RING SEGMENT CUTTING GUIDE



2 YURT CONNECTION TO 1X6 RING